

DE LA RECHERCHE À L'INDUSTRIE

cea



CESOX

COLLABORATION MEETING

FEBRUARY 06, PARIS

Henry PRZYBILSKI, Loris SCOLA

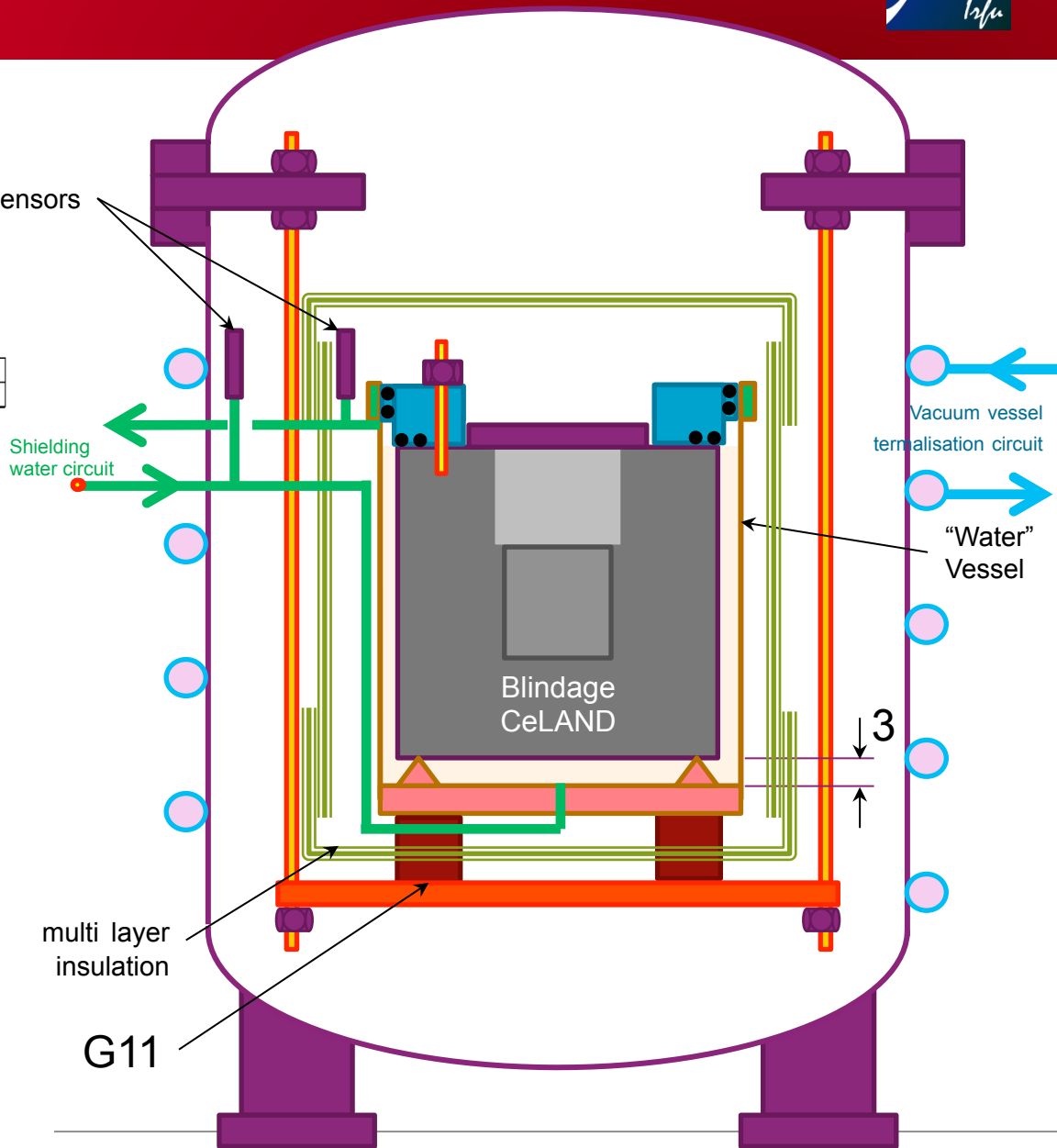
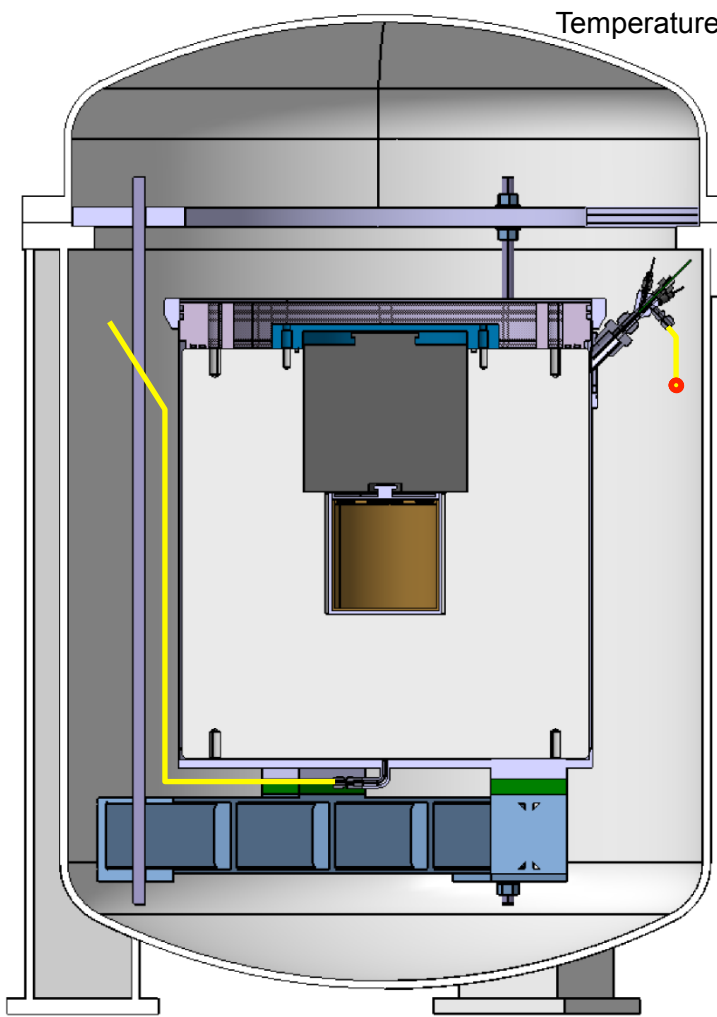
N. Jonquieres / D. Leterme / P. Yala

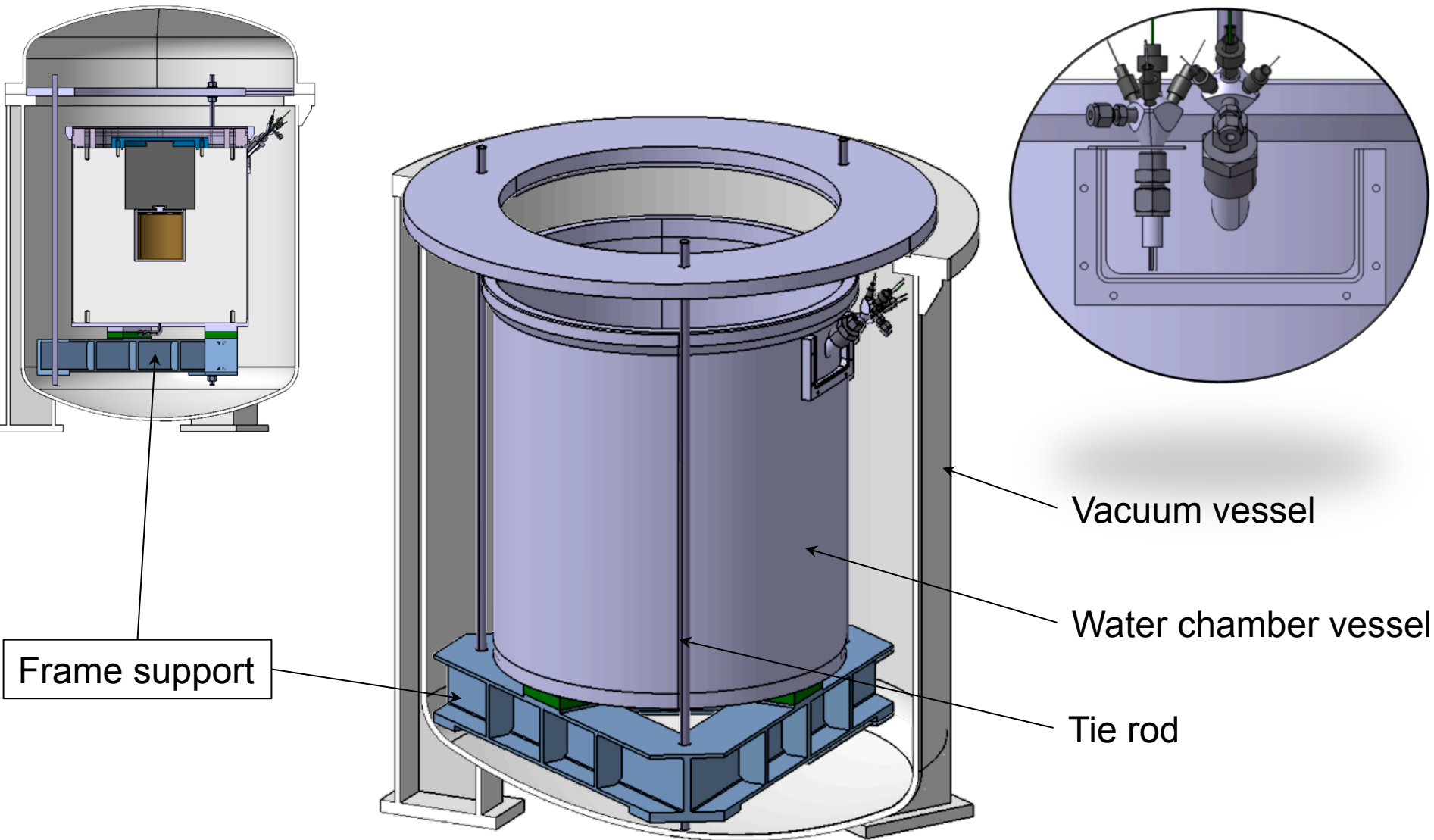
DSM/IRFU/SIS

www.cea.fr

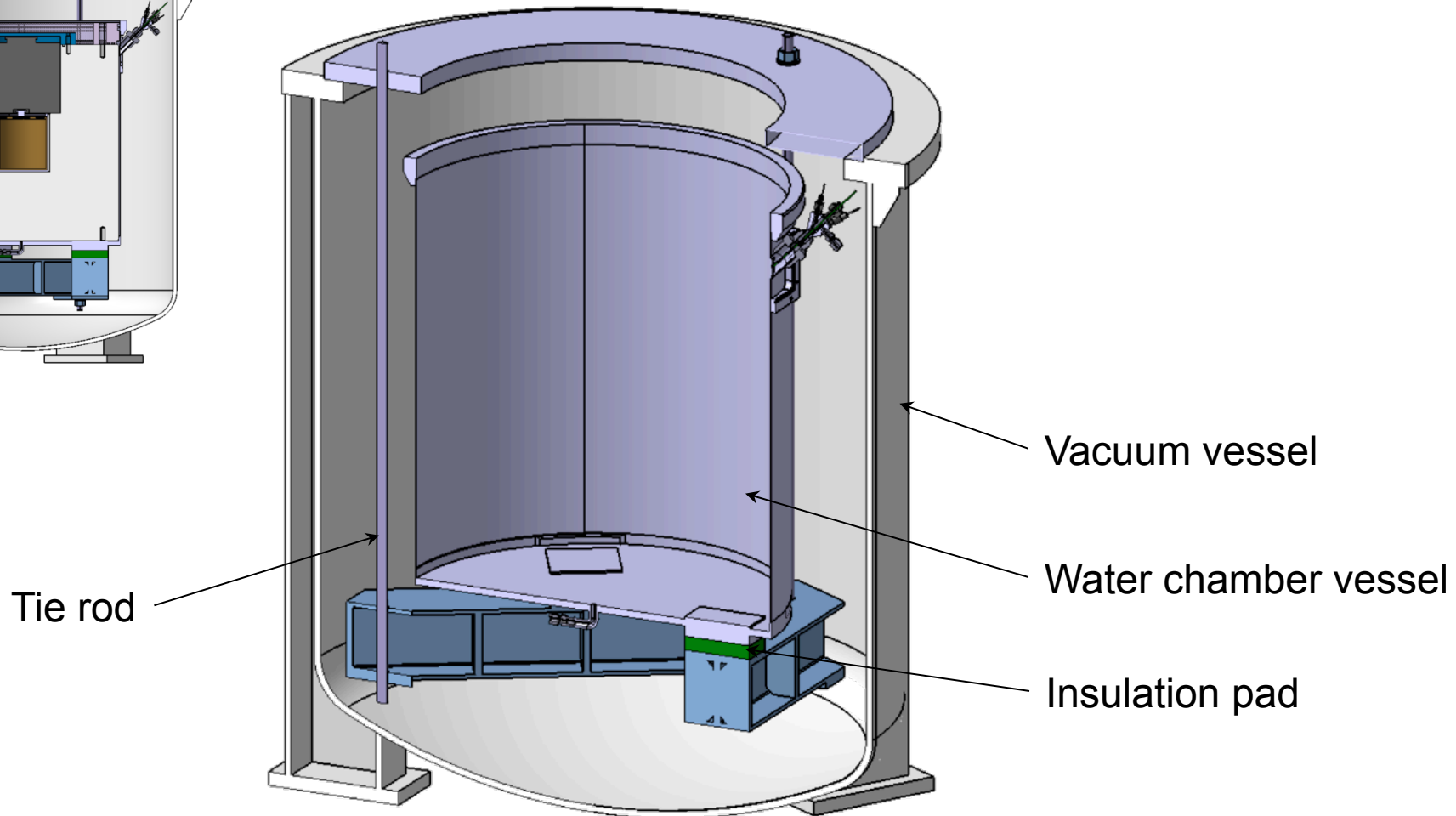
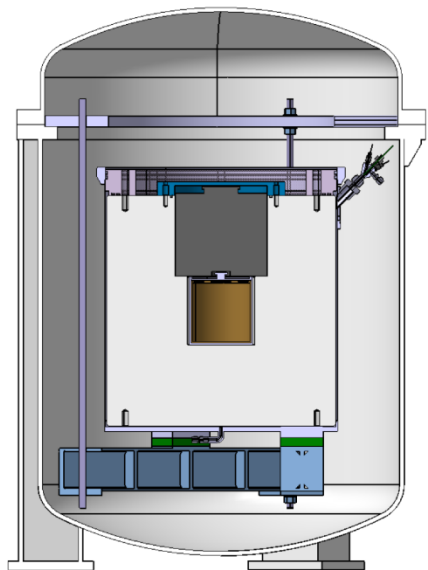


CESOX- MECHANICAL DESIGN

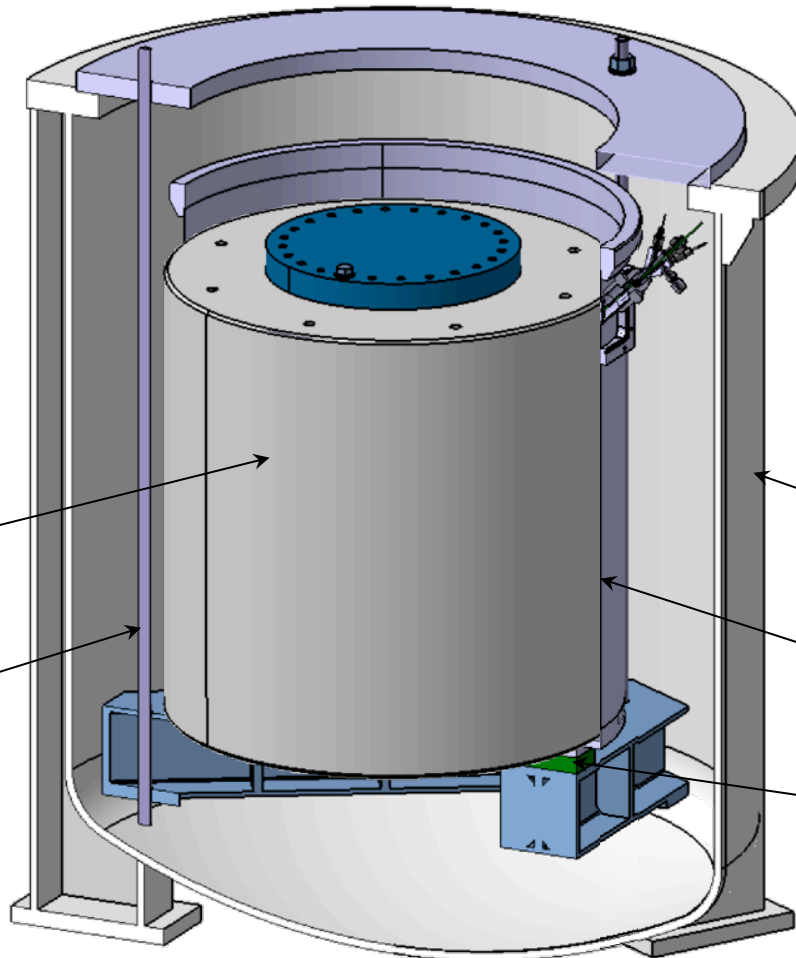
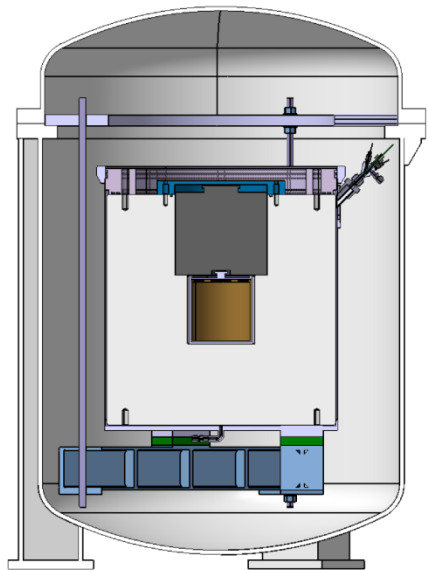




(multi layer insulation not represented)



(multi layer insulation not represented)



Tungsten shielding

Tie rod

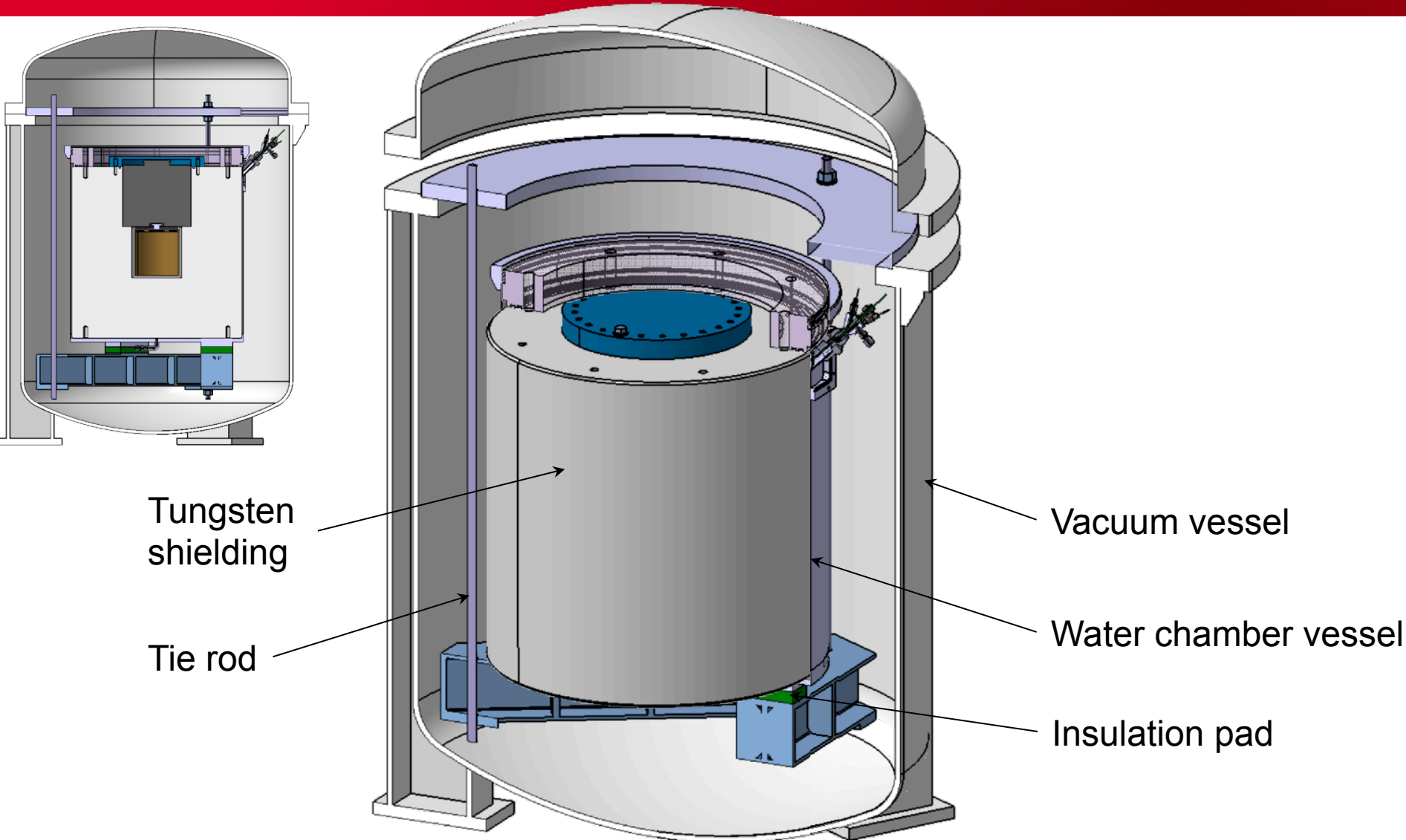
Vacuum vessel

Water chamber vessel

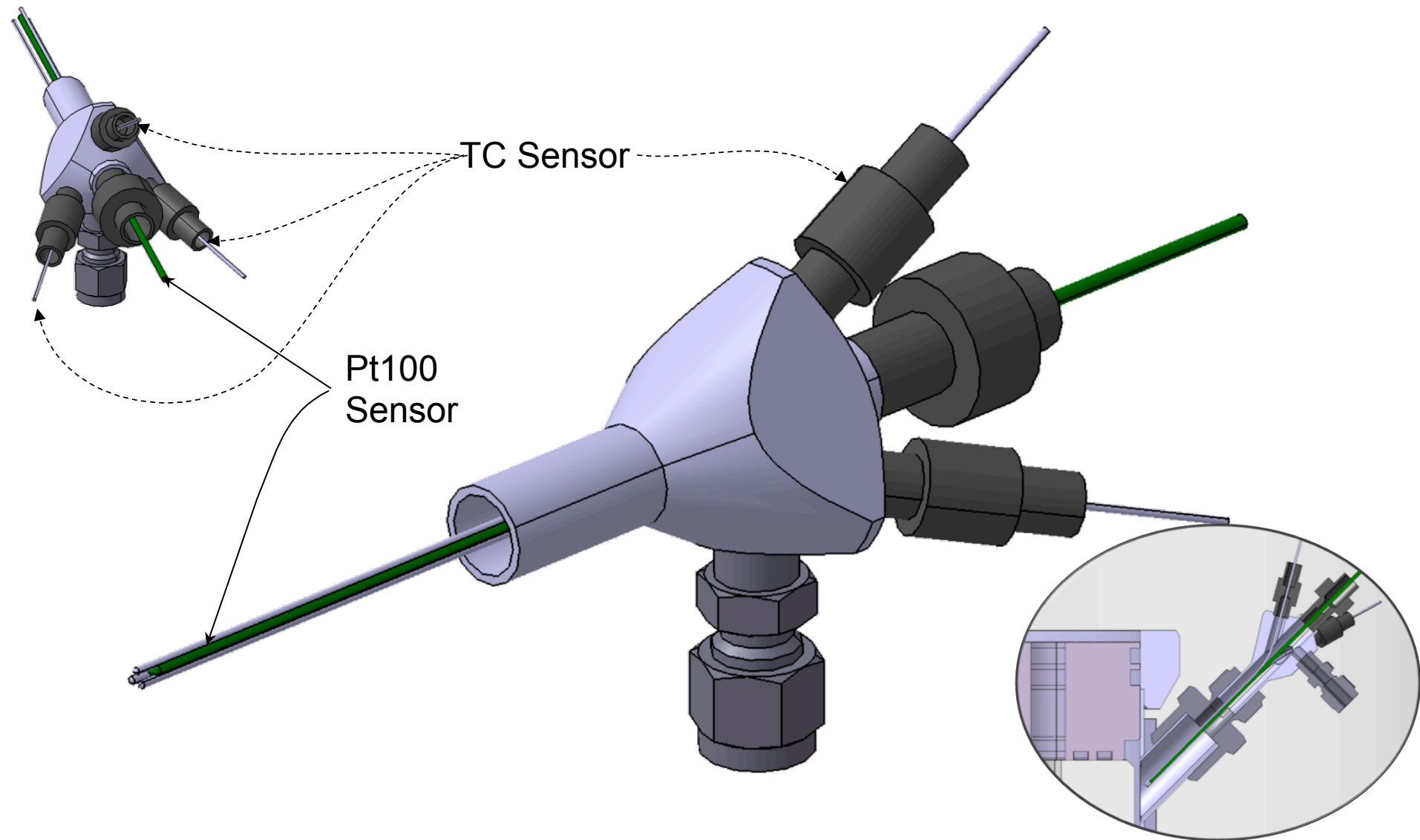
Insulation pad

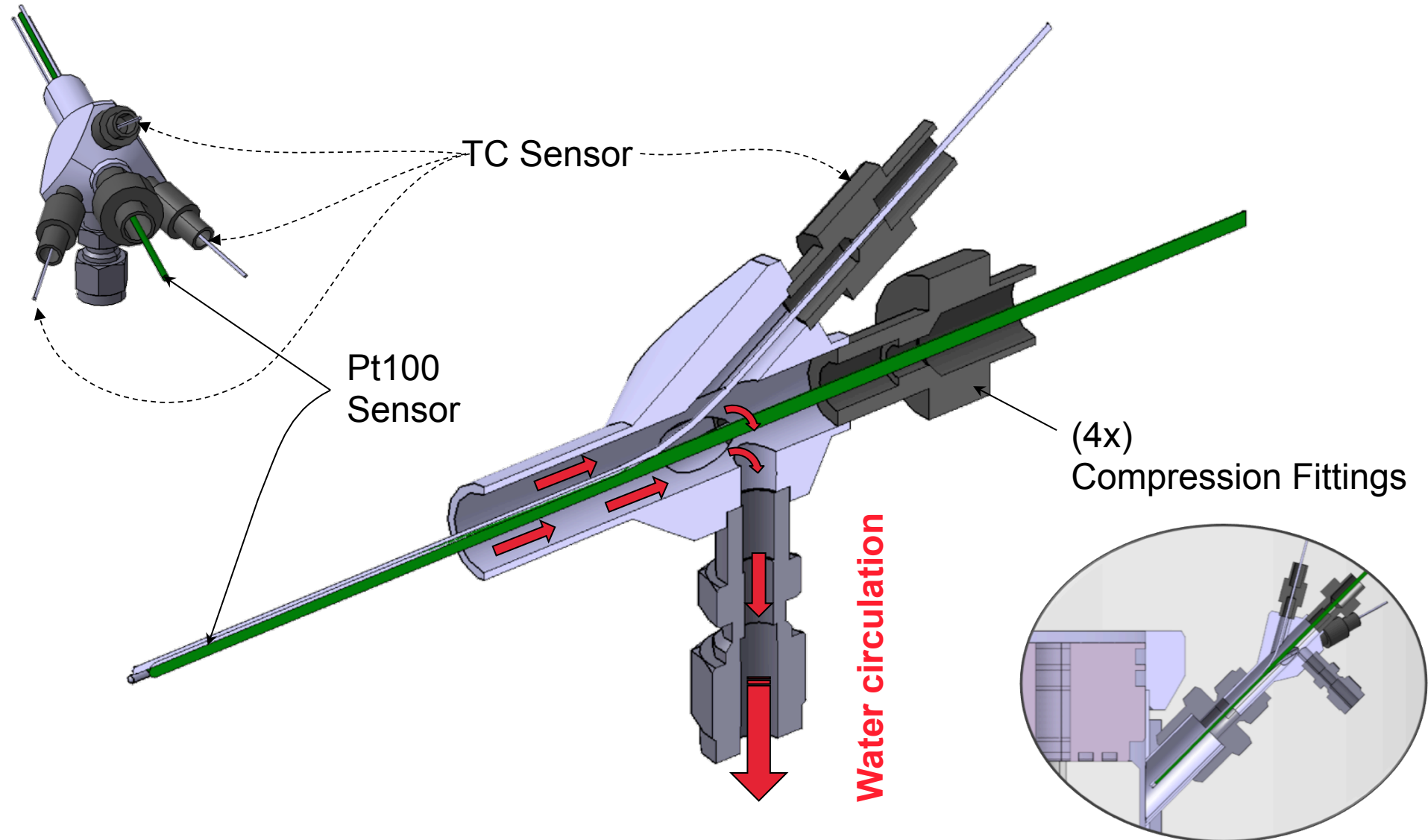
(multi layer insulation not represented)

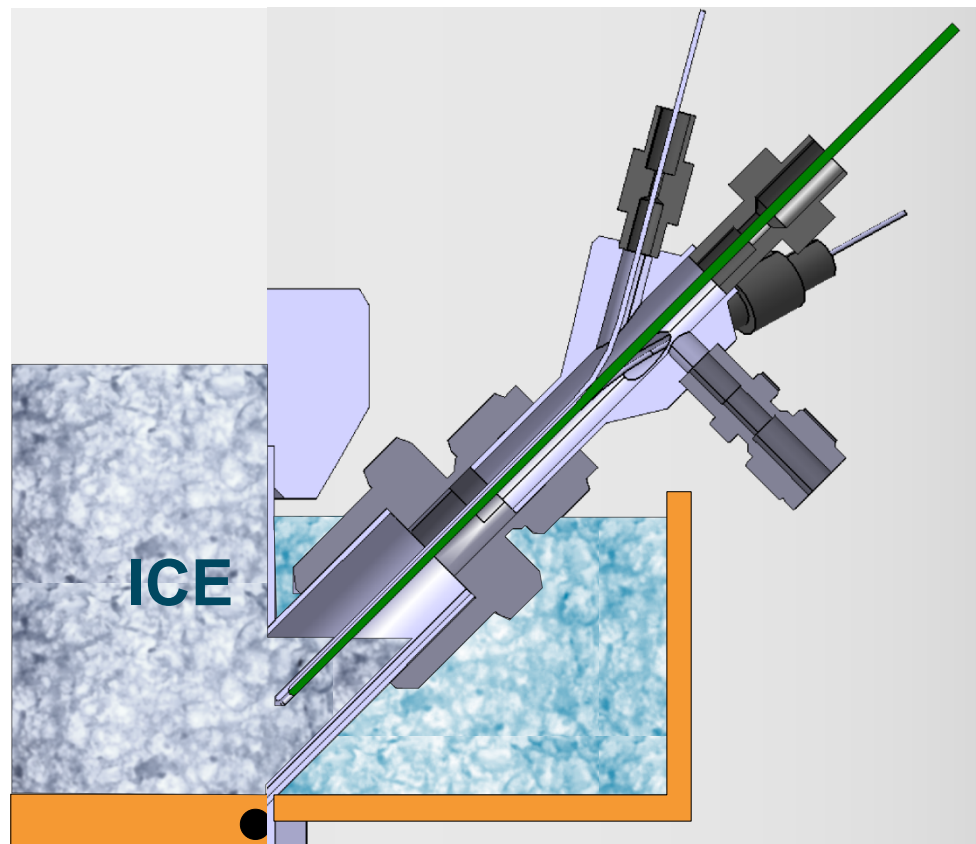
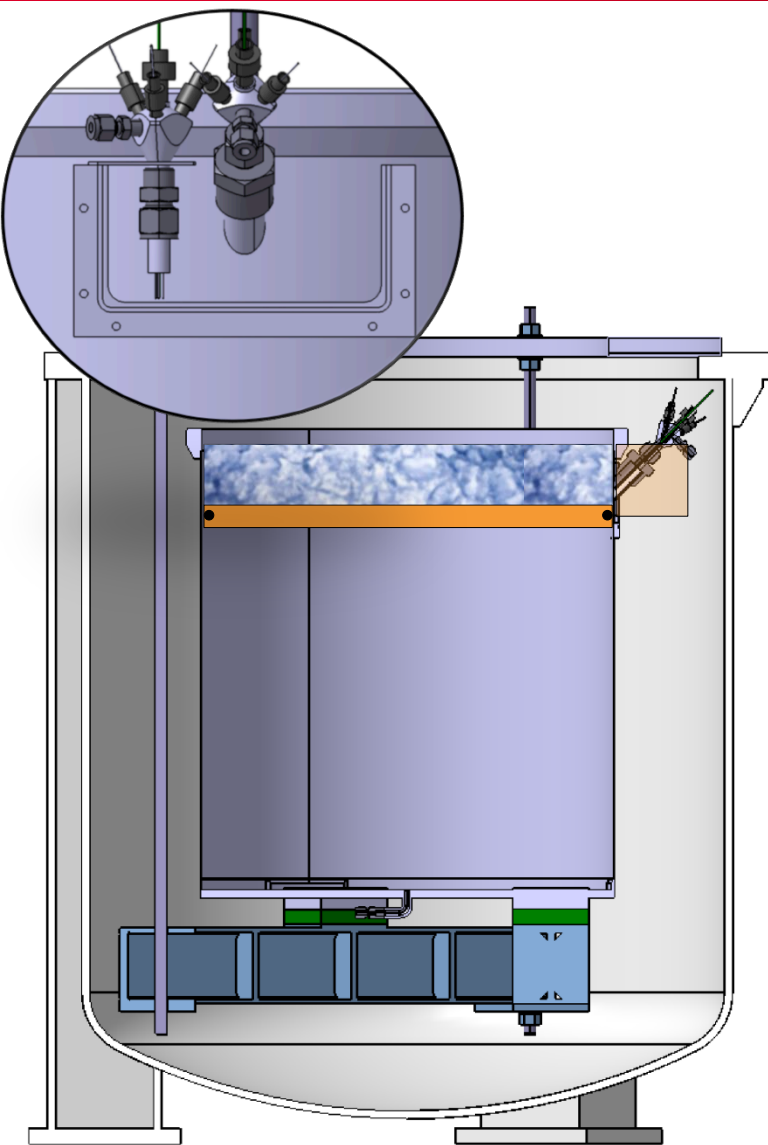
CESOX- MECHANICAL DESIGN



(multi layer insulation not represented)







CESOX- DUMMY SOURCE

